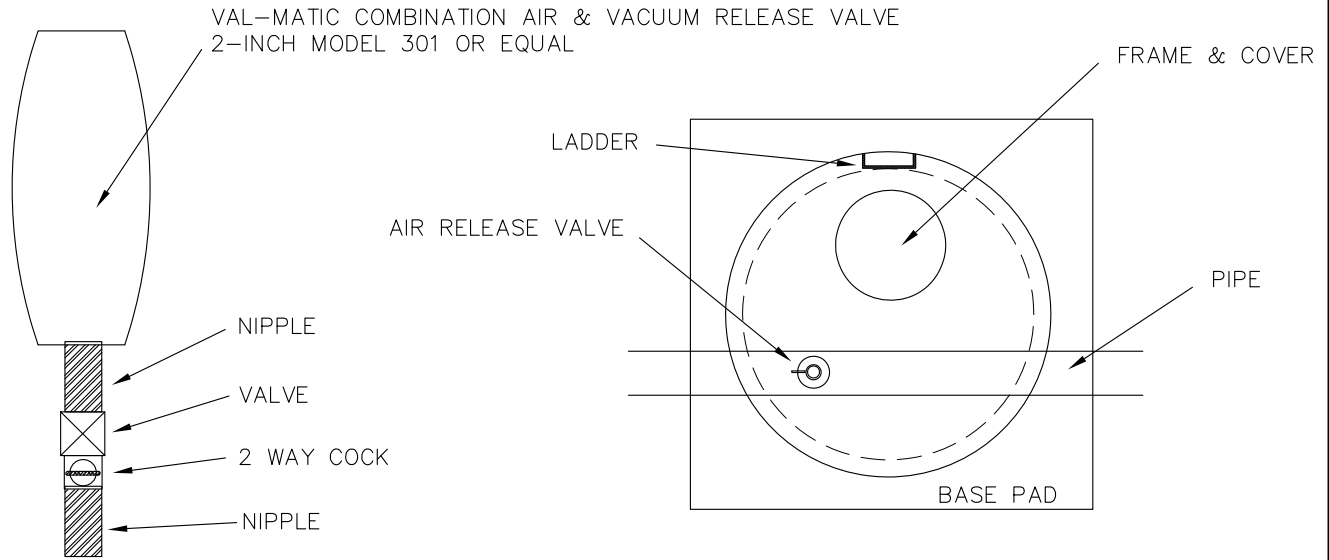


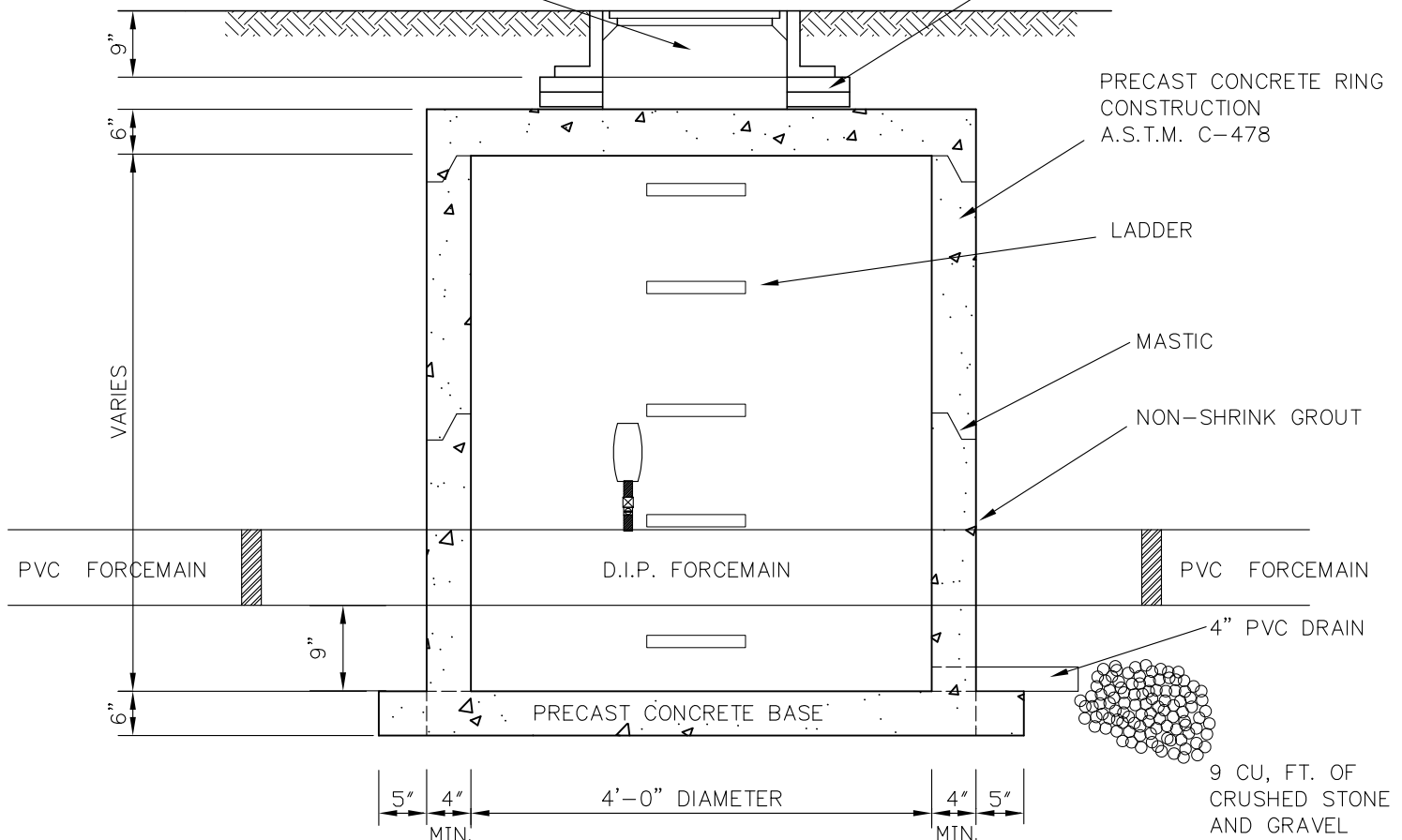
# SANITARY FORCEMAIN AIR RELEASE VALVE

## AND MANHOLE ASSEMBLY



EAST JORDAN 1975AGS FRAME & COVER OR APPROVED EQUAL WITH "SEWER" CAST INTO THE LID.

2 COURSE PRECAST ADJUSTING RINGS & MORTAR IF NEEDED



NOTES:

1. PRECAST SECTIONS TO BE JOINED WITH TONGUE AND GROOVE JOINTS SEALED WITH MASTIC TYPE BITUMINOUS JOINTING COMPOUND.
2. EXTERIOR OF M.H. TO BE BITUMINOUS COATED.
3. MANHOLES WITHIN STATE R/W TO BE PENN DOT APPROVED.